


HZ42, HZ43, HZ45, HZ46, HZ091, HZP91 19" Rackmount-Kit Assembly Instructions

HAMEG[®]
Instruments
A Rohde & Schwarz Company

 **海洋儀器**

致力于电子测试、维护领域!



 **北京海洋兴业科技股份有限公司** (证券代码: 839145)

北京市西三旗东黄平路19号龙旗广场4号楼 (E座) 906室

电话: 010-62176775 62178811 62176785

企业QQ: 800057747 维修QQ: 508005118

企业官网: www.hyxyyq.com

邮编: 100096

传真: 010-62176619

邮箱: market@oitek.com.cn

购线网: www.gooxian.net



扫描二维码关注我们
查找微信公众号: 海洋仪器

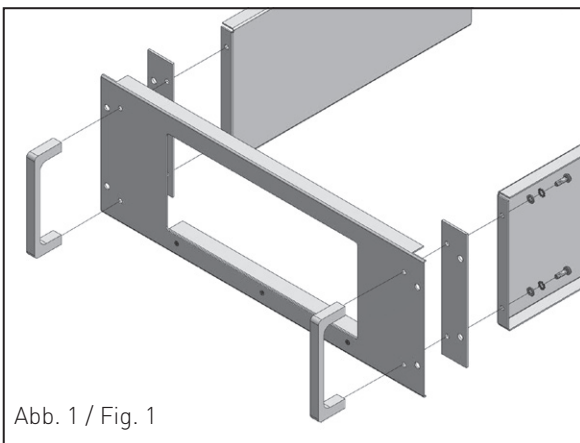
General Information

Important:

The material contained in this document is provided "as is," and is subject to being changed, without notice. Further, to the maximum extent permitted by applicable law, HAMEG disclaims all warranties, either express or implied, with regard to this manual and any information contained herein, including but not limited to the implied warranties of merchantability and fitness for a particular purpose. HAMEG shall not be liable for errors or for incidental or consequential damages in connection with the furnishing, use, or performance of this document or of any information contained herein.

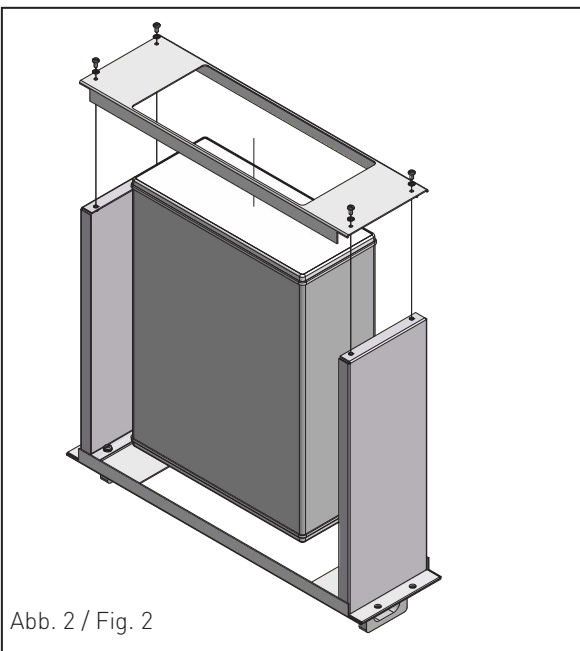
In order to avoid overheating and unneeded heating the air circulation must be possible through the devices. Please reserve enough room around the device to ensure sufficient cooling.

ATTENTION: Shipping of an instrument built in to the rack is not permitted.



Assembly

1. Add the handles, front panel, distance plate and the side frames to a frame in shape of an U as shown in Fig 1.
2. Put this frame in an upright position (see Fig. 2).
3. Add the instrument into this open frame.
4. Close the frame with the rear panel as shown in Fig. 2.

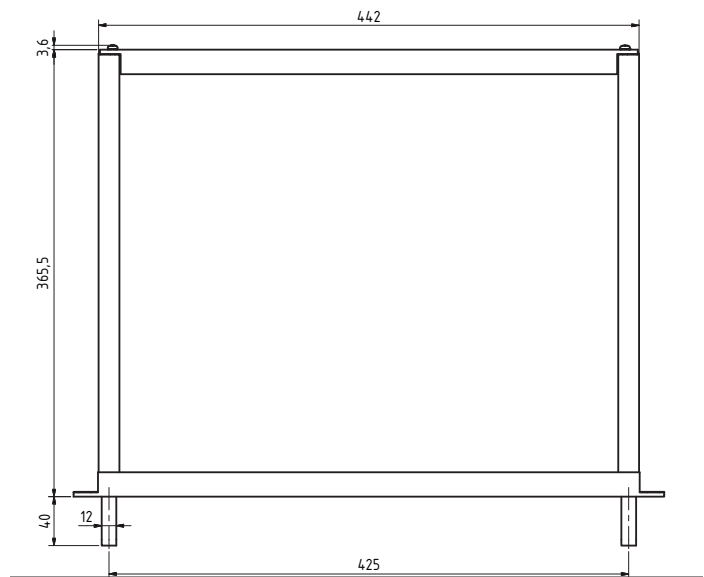
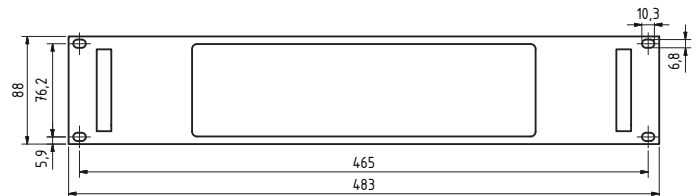
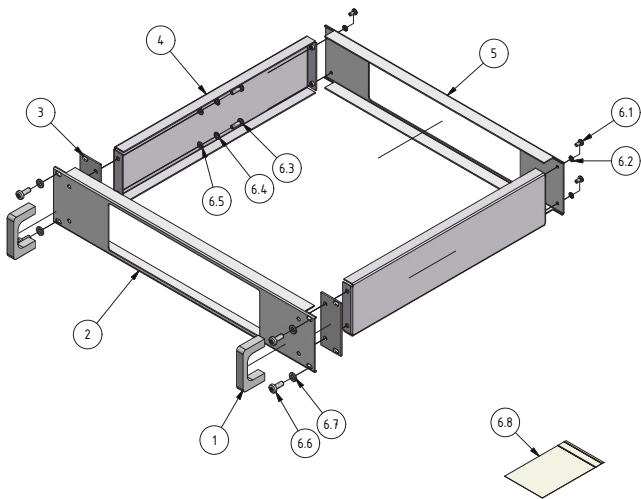


Advice: The rackmontkit HZP91 includes 2 reinforcement racks, which have to be fixed as shown in the picture (ref. to page 9).

Montageanleitung – HZ42 – Assembly Instructions

HZ42: 19"-Rackmount-kit 2RU (75 mm)

for:
HM7042-5,
HM8001-2,
Serie HM8100,
Serie HMF,
HMP2020,
HMP2030



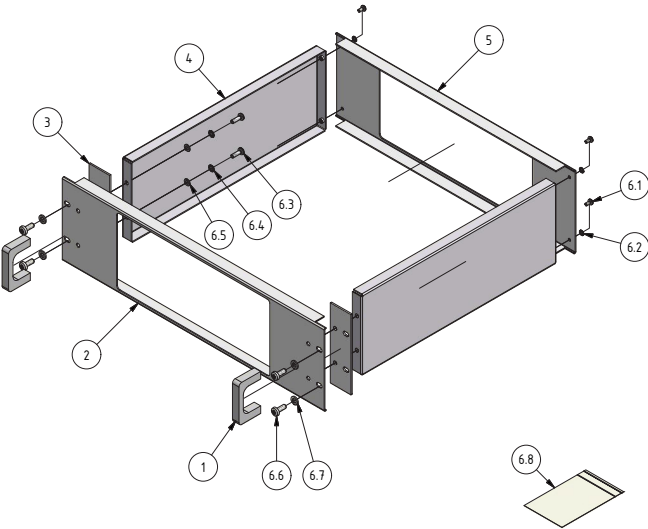
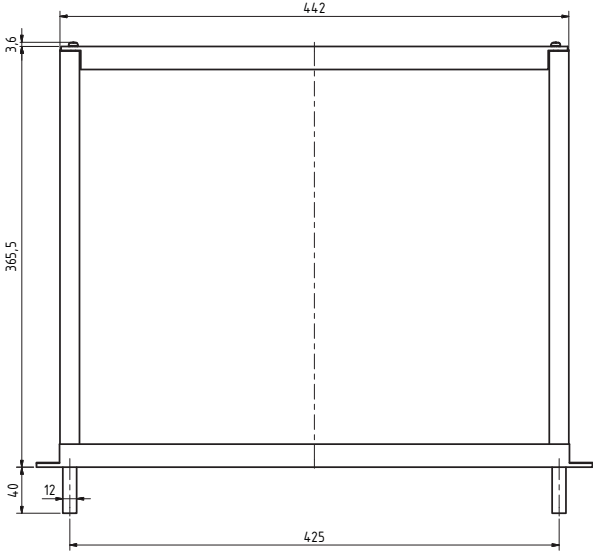
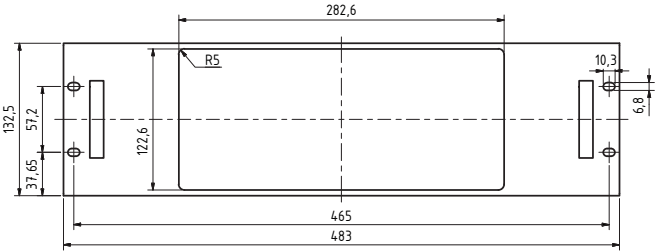
Accessories supplied

Pos.	Numbers	Description
1	2	Handle
2	1	Front Panel 2RU
3	2	Distance plate 2RU
4	2	Side frame 2RU
5	1	Rear Panel 2RU
6	1	Assembly set consists of (packed in Pos. 6.8):
6.1	4	Flat headed Screw
6.2	4	Toothed lock washer
6.3	4	Flat headed Screw
6.4	4	Toothed lock washer
6.5	4	Washer
6.6	4	Flat headed Screw
6.7	4	Washer
6.8	1	Minibag

HZ43 – Assembly Instructions

HZ43 19"-Rackmount-kit
3RU (125 mm)

for:
HM2005,
HM303-6,
HM504-2,
HM507,
HM5510,
HM5014-2,
HM5530,
HM6050-2,
HM7044



Accessories supplied

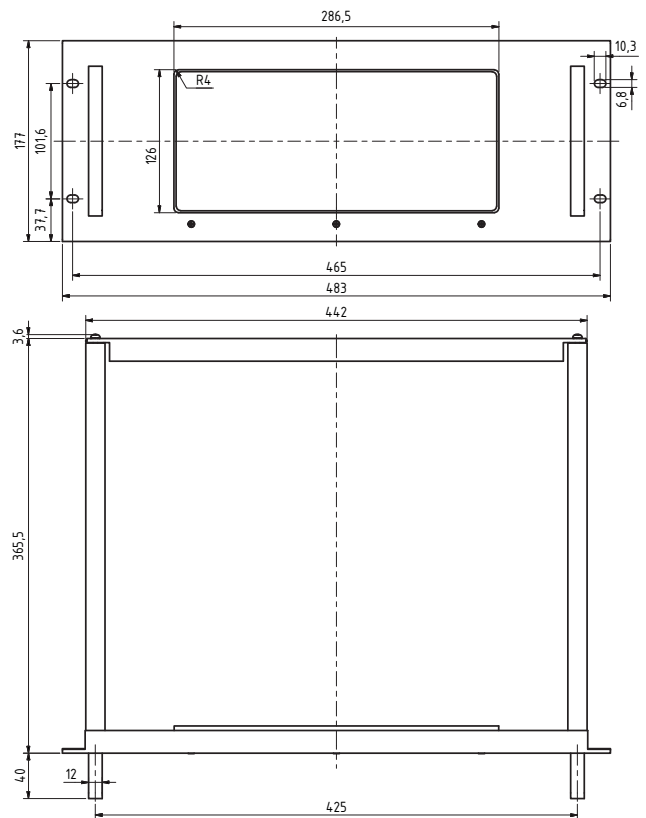
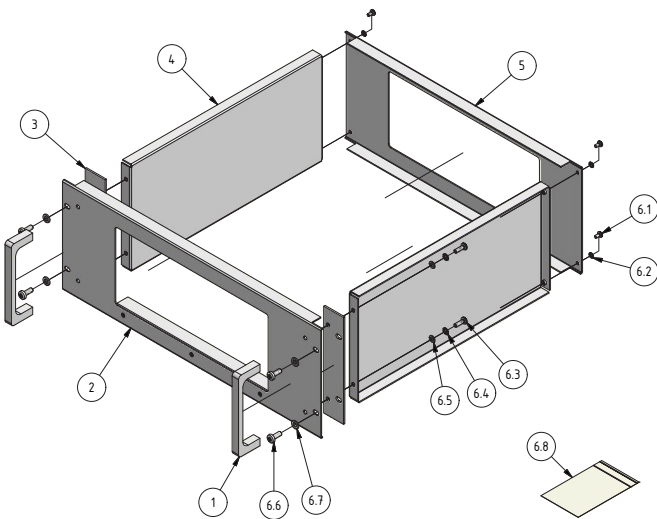
Pos.	Numbers	Description
1	2	Handle
2	1	Front Panel 3RU
3	2	Distance plate 3RU
4	2	Side frame 3RU
5	1	Rear Panel 3RU
6	1	Assembly set consists of (packed in Pos. 6.8):
6.1	4	Flat headed Screw
6.2	4	Toothed lock washer
6.3	4	Flat headed Screw
6.4	4	Toothed lock washer
6.5	4	Washer
6.6	4	Flat headed Screw
6.7	4	Washer
6.8	1	Minibag

HZ45 – Assembly Instructions

HZ45 19"-Rackmount-kit 4RU (175 mm)

for:

HM400,
HM1000,
HM1000-2,
HM1008,
HM1008-2,
HM1500,
HM1500-2,
HM1508,
HM1508-2,
HM2005-2,
HM2008



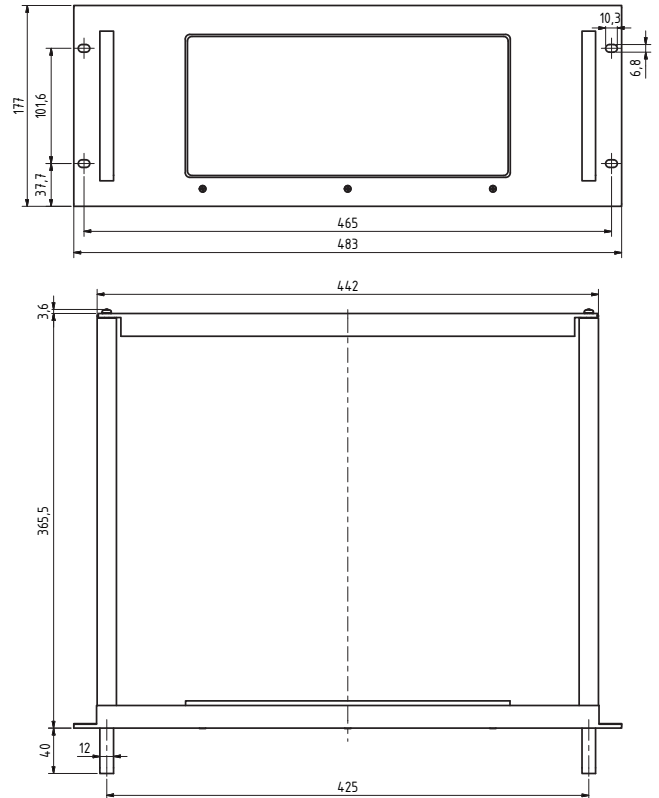
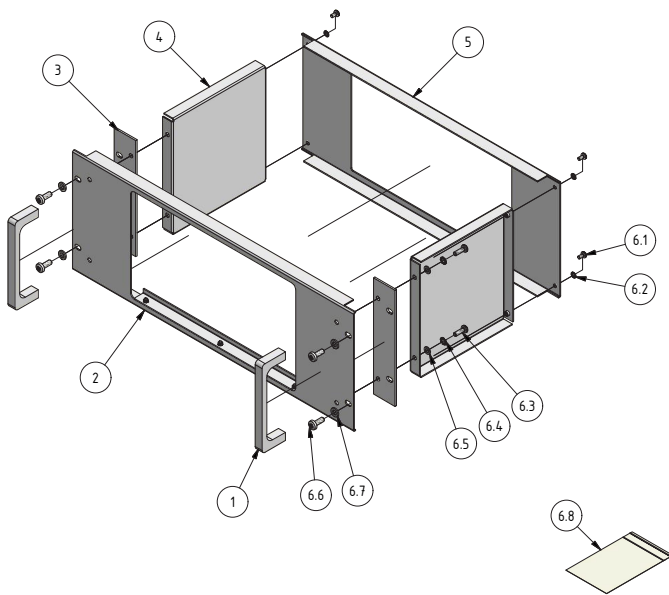
Accessories supplied

Pos.	Numbers	Description
1	2	Handle
2	1	Front Panel 4RU
3	2	Distance plate 4RU
4	2	Side frame 4RU
5	1	Rear Panel 4RU
6	1	Assembly set consists of (packed in Pos. 6.8):
6.1	4	Flat headed Screw
6.2	4	Toothed lock washer
6.3	4	Flat headed Screw
6.4	4	Toothed lock washer
6.5	4	Washer
6.6	4	Flat headed Screw
6.7	4	Washer
6.8	1	Minibag

HZ46 – Assembly Instructions

HZ46 19"-Rackmount-kit 4HE / 4RU (175 mm)

für / for:
series HMO3524, 3522, 2524
HMO3002/3004
HMS1000, 1010, 3000, 3010
HMS-X



Lieferumfang:

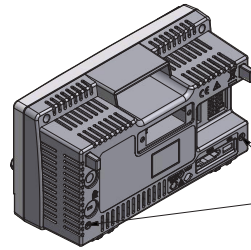
Accessories supplied

Pos.	Anzahl	Bezeichnung	Numbers	Description
1	2	LW-Griff Profilaluminium	2	Handle
2	1	Frontplatte 4HE lackiert	1	Front Panel 4RU
3	2	Distanzblech 4HE	2	Distance plate 4RU
4	2	Seitenteil mit Einpressmutter 4HE	2	Side frame 4RU
5	1	Rückplatte 4HE	1	Rear Panel 4RU
6	1	Befestigungsset (verpackt in Pos. 6.8) bestehend aus:	1	Assembly set consists of (packed in Pos. 6.8):
6.1	4	Flachkopfschraube ISO 7045 - M4x8	4	Flat headed Screw
6.2	4	Zahnscheibe DIN 6797 - A 4,3	4	Toothed lock washer
6.3	4	Flachkopfschraube ISO 7045 - M5x16	4	Flat headed Screw
6.4	4	Zahnscheibe DIN 6797 - A 5,3	4	Toothed lock washer
6.5	4	Unterlegscheibe DIN 125-1 A 5,3	4	Washer
6.6	4	Flachkopfschraube ISO 7045 - M6x16	4	Flat headed Screw
6.7	4	Unterlegscheibe DIN 125-1 A 6,4	4	Washer
6.8	1	Mini-Clipbeutel, 70x100x0,05	1	Minibag

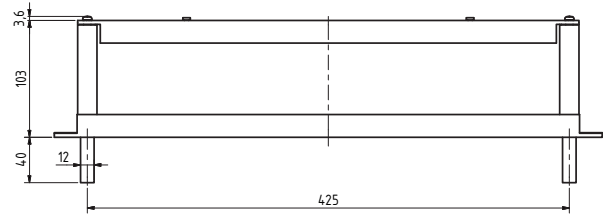
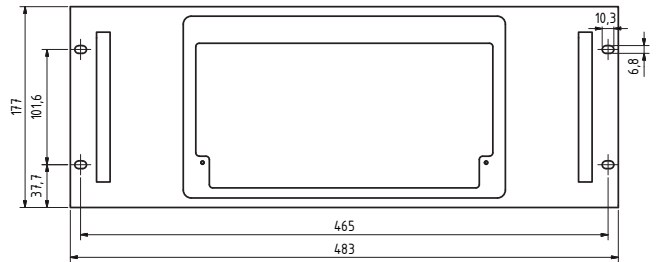
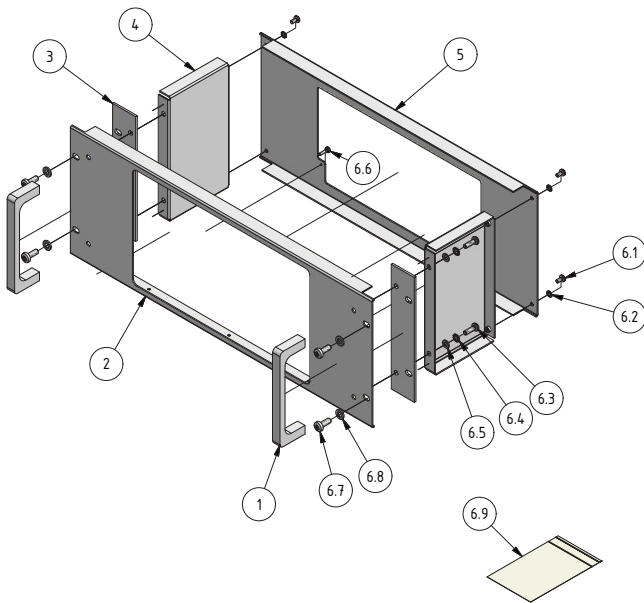
HZ091 – Assembly Instructions

HZ091 19"-Rackmount-kit 4HE / 4RU (175 mm)

für / for:
series HM0722, 724, 1022, 1024,
1522, 1524, 2022, 2024



Gehäuseschrauben vor dem Einbau entfernen
Remove housing bolts before installation



Lieferumfang:

Accessories supplied

Pos.	Anzahl	Bezeichnung	Numbers	Description
1	2	LW-Griff Profilaluminium	2	Handle
2	1	Frontplatte 4HE lackiert	1	Front Panel 4RU
3	2	Distanzblech 4HE	2	Distance plate 4RU
4	2	Seitenteil mit Einpressmutter 4HE	2	Side frame 4RU
5	1	Rückplatte 4HE	1	Rear Panel 4RU
6	1	Befestigungsset (verpackt in Pos. 6.8) bestehend aus:	1	Assembly set consists of (packed in Pos. 6.8):
6.1	4	Flachkopfschraube ISO 7045 - M4x8	4	Flat headed Screw
6.2	4	Zahnscheibe DIN 6797 - A 4,3	4	Toothed lock washer
6.3	4	Flachkopfschraube ISO 7045 - M5x16	4	Flat headed Screw
6.4	4	Zahnscheibe DIN 6797 - A 5,3	4	Toothed lock washer
6.5	4	Unterlegscheibe DIN 125-1 A 5,3	4	Washer
6.6	2	PEM Einpressschraube SCBJ-M3-12	2	Spinning clinch bolt
6.7	4	Flachkopfschraube ISO 7045 - M6x16	4	Flat headed Screw
6.8	4	Unterlegscheibe DIN 125-1 A 6,4	4	Washer
6.9	1	Mini-Clipbeutel, 70x100x0,05	1	Minibag

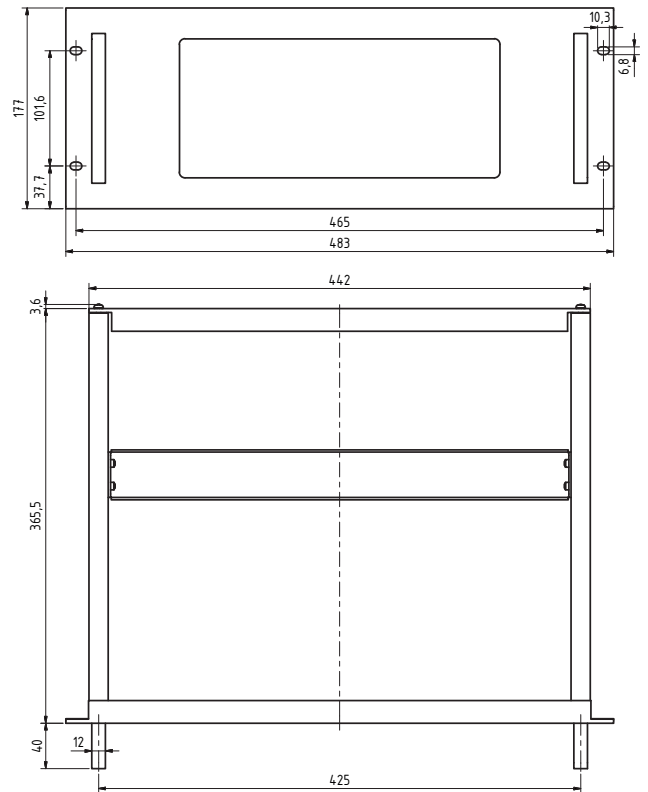
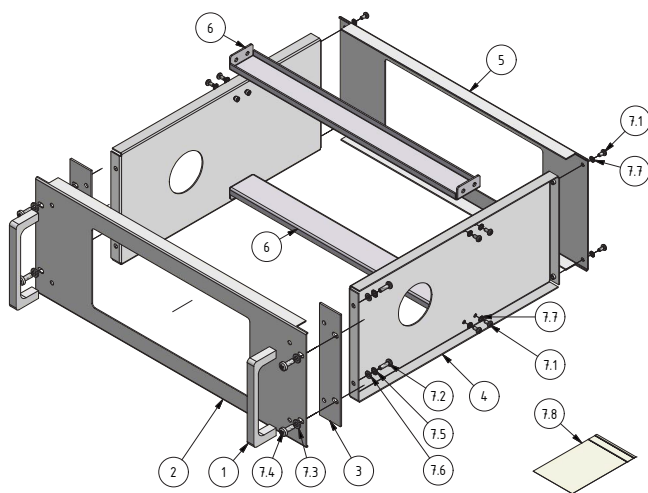
HZP91 – Assembly Instructions

HZP91 19"-Rackmount-kit 4HE / 4RU (175 mm)

für / for:
HMP4030 and HMP4040

Hinweis: Der HZP91 verfügt über zwei Verstärkungsschienen (6), die - gemäß Zeichnung - anzubringen sind.

Advice: The rackmontkit HZP91 includes 2 reinforcement racks (6), which have to be fixed as shown in the picture.



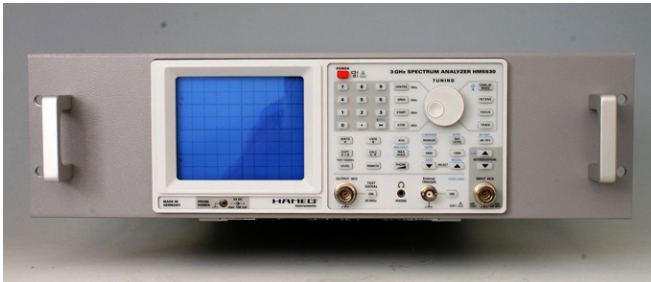
Lieferumfang:

Accessories supplied

Pos.	Anzahl	Bezeichnung	Numbers	Description
1	2	LW-Griff Profilaluminium	2	Handle
2	1	Frontplatte 4HE gebogen, lackiert	1	Front Panel 4RU
3	2	Distanzblech 4HE	2	Distance plate 4RU
4	2	Seitenteil 4HE	2	Side frame 4RU
5	1	Rückplatte gebogen 4HE	1	Rear Panel 4RU
6	2	Verstärkungsschiene	2	reinforcement rack
7	1	Befestigungsset (verpackt in Pos. 7.8) bestehend aus:	1	Assembly set consits of (packed in Pos. 6.8):
7.1	14	Flachkopfschraube ISO 7045 - M4x8	14	Flat headed Screw
7.2	4	Flachkopfschraube ISO 7045 - M5x16	4	Flat headed Screw
7.3	4	Unterlegscheibe DIN 125-1 A 6,4	4	Washer
7.4	4	Flachkopfschraube ISO 7045 - M6x16	4	Flat headed Screw
7.5	4	Zahnscheibe DIN 6797 - A 5,3	4	Toothed lock washer
7.6	4	Unterlegscheibe DIN 125-1 A 5,3	4	Washer
7.7	14	Zahnscheibe DIN 6797 - A 4,3	14	Toothed lock washer
7.8	1	Mini-Clipbeutel, 70x100x0,05	1	Minibag

Different Perspectives

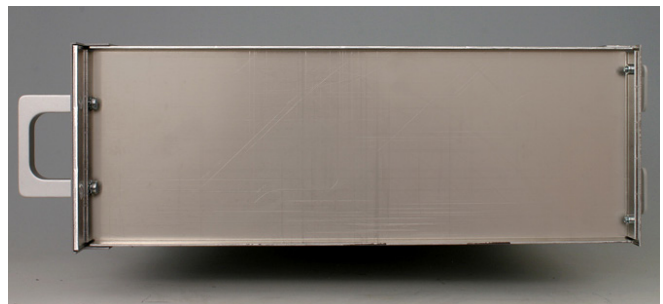
Front View HZ42/43



Rear View HZ42/43



Side View (right)



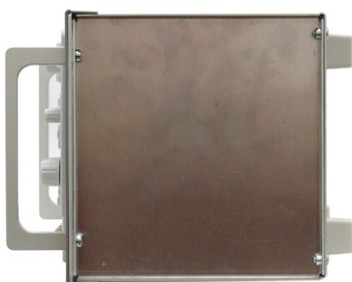
Bottom View HZ45



Top View



Side View HZ46



Rear View HZ46

