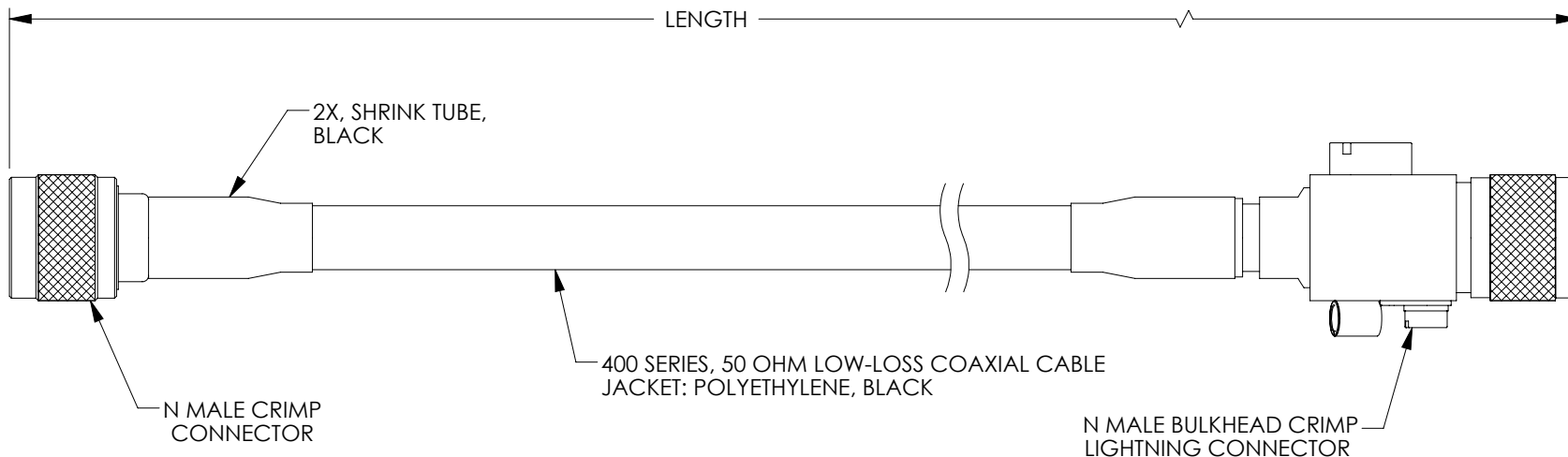


THE INFORMATION CONTAINED IN THIS DRAWING IS THE SOLE PROPERTY OF L-COM, INC. ANY REPRODUCTION IN PART OR WHOLE WITHOUT THE WRITTEN PERMISSION OF L-COM, INC. IS PROHIBITED.

REVISIONS			
REV	DESCRIPTION	DATE	APPROVED
A	INITIAL RELEASE	8/20/13	D.GRIFFIN



LENGTH CODE CHART		
CABLE# & LENGTH	LENGTH SYMBOL	EXAMPLES OF PART# USED
CA4NMLPNMXXX	WHERE XXX = LENGTH IN FEET	CA4NMLPNM010 (10 FEET)
CA4NMLPNMNXX	WHERE NXX = LENGTH IN INCHES	CA4NMLPNMN16 (16 INCHES)
CA4NMLPNMMXX	WHERE MXX = LENGTH IN METERS	CA4NMLPNMM07 (7 METERS)
CA4NMLPNMXXM	WHERE XMX = LENGTH IN DECIMAL METERS	CA4NMLPNM3M5 (3.5 METERS)

NOTES:

LP ELECTRICAL SPECS:
 IMPEDANCE: 50 OHMS
 FREQUENCY RANGE: 0 - 5.8GHz
 GAS TUBE BREAKDOWN VOLTAGE: 90V ± 20%

1. CABLE ASSEMBLY SHALL BE TESTED FOR CONTINUITY.
2. CABLE ASSEMBLY SHALL RECEIVE INSERTION LOSS TEST PER L-COM SPECIFICATIONS.
3. CABLE ASSEMBLY SHALL BE INDIVIDUALLY PACKAGED IN ACCORDANCE WITH L-COM SPECIFICATION PS-0031.

REGULATORY COMPLIANCE:
 RoHS, CE

UNLESS OTHERWISE SPECIFIED, DIMENSIONS ARE IN INCHES [mm] OVERALL CABLE LENGTH TOLERANCE: ≤12 [305] = +1 [25] / -0 >12 [305] ≤60 [1524] = +2 [51] / -0 >60 [1524] ≤120 [3048] = +4 [102] / -0 >120 [3048] ≤300 [7620] = +6 [152] / -0 >300 [7620] = +3% / -0%	APPROVALS	DATE		45 BEECHWOOD DRIVE NORTH ANDOVER, MA 01845
	DRAWN BY B.PUCHASKI	08/19/13		
ALL OTHER DIMENSIONAL TOLERANCES: .X = ± .2 .XX = ± .02 .XXX = ± .005	CHECKED BY P.PESA	08/16/13	CATEGORY COAXIAL	
	APPROVED BY P.PESA	08/19/13	PRODUCT DESCRIPTION CA400 NM-NM LP	
PROJECTION 	CONFIGURATION DETAILS OF UNDIMENSIONED FEATURES MAY VARY	COLOR VARIATIONS MAY OCCUR	SIZE A	FSCM NO. 43321
			DWG. NO. CA4NMLPNM	REV. A
			SCALE: NONE	CAD FILE: CA4NMLPNM.SLDDRW
			SHEET 1 OF 1	