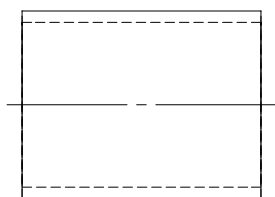


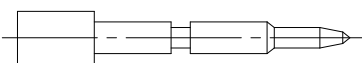
THE INFORMATION CONTAINED IN THIS DRAWING IS THE SOLE PROPERTY OF L-COM, INC. ANY REPRODUCTION IN PART OR WHOLE WITHOUT THE WRITTEN PERMISSION OF L-COM, INC. IS PROHIBITED.

REVISIONS			
REV	DESCRIPTION	DATE	APPROVED
A	DRAWING REPLACES HPC992-OD1	6/24/14	D. DESJARDIN

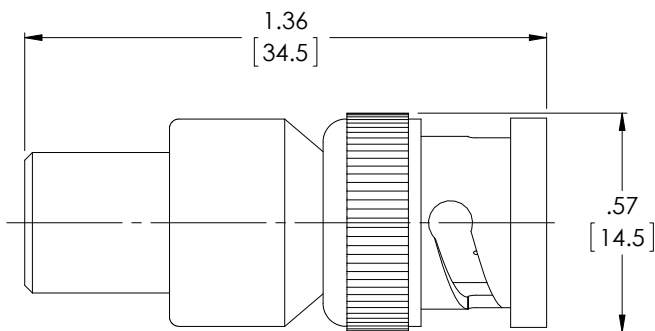
DESCRIPTION	MATERIAL	FINISH
FERRULE	COPPER	NICKEL
CONTACT PIN	BRASS	GOLD
INSULATOR	TEFLON	NATURAL
BODY	BRASS	NICKEL



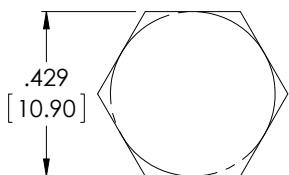
FERRULE



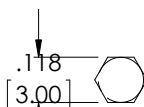
PIN



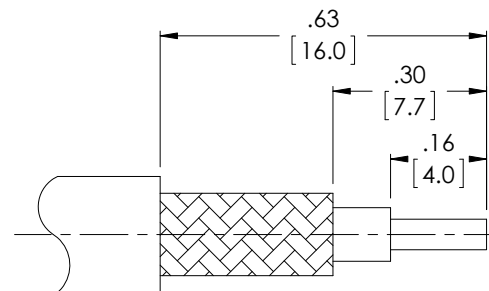
BODY



RECOMMENDED FERRULE CRIMP SIZE



RECOMMENDED PIN CRIMP SIZE



RECOMMENDED CABLE STRIPPING

NOTES:

1. IMPEDANCE: 50 OHMS
2. COMPONENT SHALL BE INDIVIDUALLY PACKAGED IN ACCORDANCE WITH L-COM SPECIFICATION PS-0031.

REGULATORY COMPLIANCE:
CE2011/65/EU (RoHS DIRECTIVE)

UNLESS OTHERWISE SPECIFIED, DIMENSIONS ARE IN INCHES [mm] OVERALL CABLE LENGTH TOLERANCE: ≤ 12 [305] = +1 [25] / -0 > 12 [305] ≤ 60 [1524] = +2 [51] / -0 > 60 [1524] ≤ 120 [3048] = +4 [102] / -0 > 120 [3048] ≤ 300 [7620] = +6 [152] / -0 > 300 [7620] = +5% / -0% ALL OTHER DIMENSIONAL TOLERANCES: .X = $\pm .2$ [5.08] .XX = $\pm .02$ [51] .XXX = $\pm .005$ [13]	APPROVALS DRAWN BY C.MCCORMICK	DATE 12/02/2004		45 BEECHWOOD DRIVE NORTH ANDOVER, MA 01845		
	CHECKED BY D.PARHAM	DATE 12/02/2004		CATEGORY COAXIAL		
	APPROVED BY R.CARRICK	DATE 12/02/2004	PRODUCT DESCRIPTION CONN BNC M BELDEN 9913 CRIMP			
	PROJECTION 	COLOR VARIATIONS MAY OCCUR	HPC992-OD1	SIZE A	FSCM NO. 43321	DWG. NO. HPC992

SCALE: NONE | CAD FILE: HPC992.SLDDRW | SHEET 1 OF 1