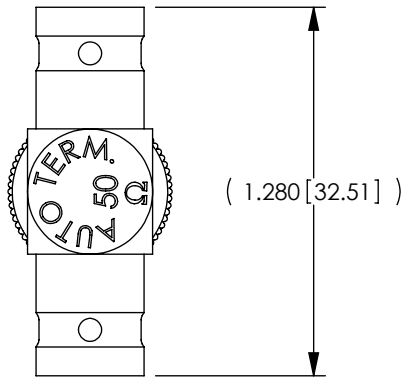
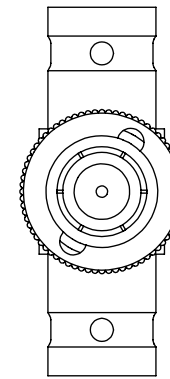
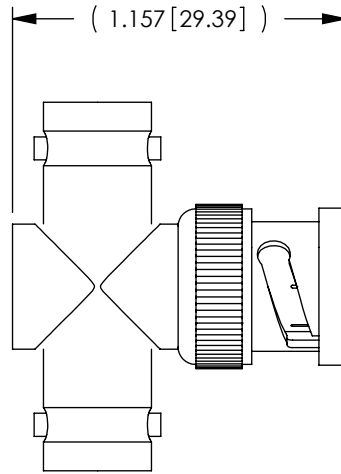


THE INFORMATION CONTAINED IN THIS DRAWING IS THE SOLE PROPERTY OF L-COM, INC. ANY REPRODUCTION IN PART OR WHOLE WITHOUT THE WRITTEN PERMISSION OF L-COM, INC. IS PROHIBITED.

REVISIONS			
REV	DESCRIPTION	DATE	APPROVED
A	RELEASED FOR PRODUCTION	5/31/02	TJC
B	ECN 3129: UPDATE DWG FORMAT	12/21/07	D.GRIFFIN
C	ECN 4111: REVISE LENGTH TO 1.157. MAKE ALL DIMS REF.	7/7/09	D.FRISIELLO



2X BNC JACK



BNC PLUG

NOTES:

**MATERIAL:**  
 BODY: ZINC ALLOY DIE CASTING  
 DIELECTRIC: ACETAL  
 CENTER PINS: BRASS

**FINISH:**  
 BODY: NICKEL  
 CENTER PINS: GOLD

**MISCELLANEOUS:**  
 BNC PLUGS MUST BE INSTALLED ON BOTH JACKS TO DISCONNECT 50-OHM 1/4-WATT TERMINATING RESISTOR BETWEEN OUTER SHELL AND CENTER CONDUCTOR. FOR SIGNAL LEVEL ENERGY ONLY.

**RoHS Compliant** ✓

UNLESS OTHERWISE SPECIFIED, DIMENSIONS ARE IN INCHES [mm]  DIMENSIONAL TOLERANCES: .X = ±.1 .XX = ±.01 .XXX = ±.005  ANGULAR TOLERANCES: ALL = ± 1°	APPROVALS	DATE		45 BEECHWOOD DRIVE NORTH ANDOVER, MA 01845	
	DRAWN BY TJC	5/15/02			
	CHECKED BY DFP	5/28/02	CATEGORY COAXIAL		
	APPROVED BY CM	5/28/02	PRODUCT DESCRIPTION BNC 50-OHM TERMINATED "TEE" ADAPTER		
PROJECTION 	COLOR VARIATIONS MAY OCCUR	SIZE <b>A</b>	FSCM NO. <b>43321</b>	DWG. NO. BA45	REV. <b>C</b>
REF		SCALE: NONE	CAD FILE: BA45.SLDDRW		SHEET 1 OF 1